



Nodolini
PRECISION IRRIGATION SPRINKLERS

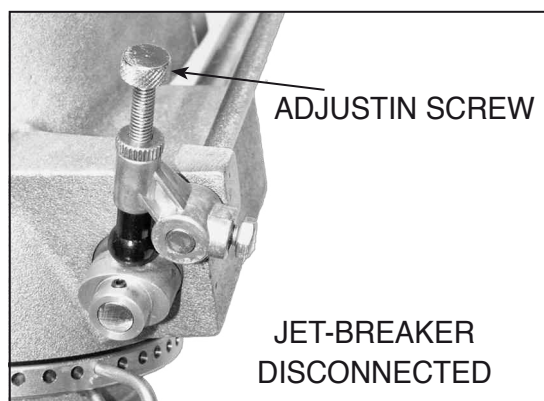
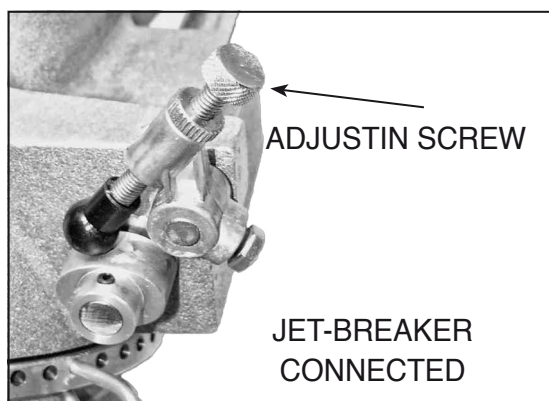
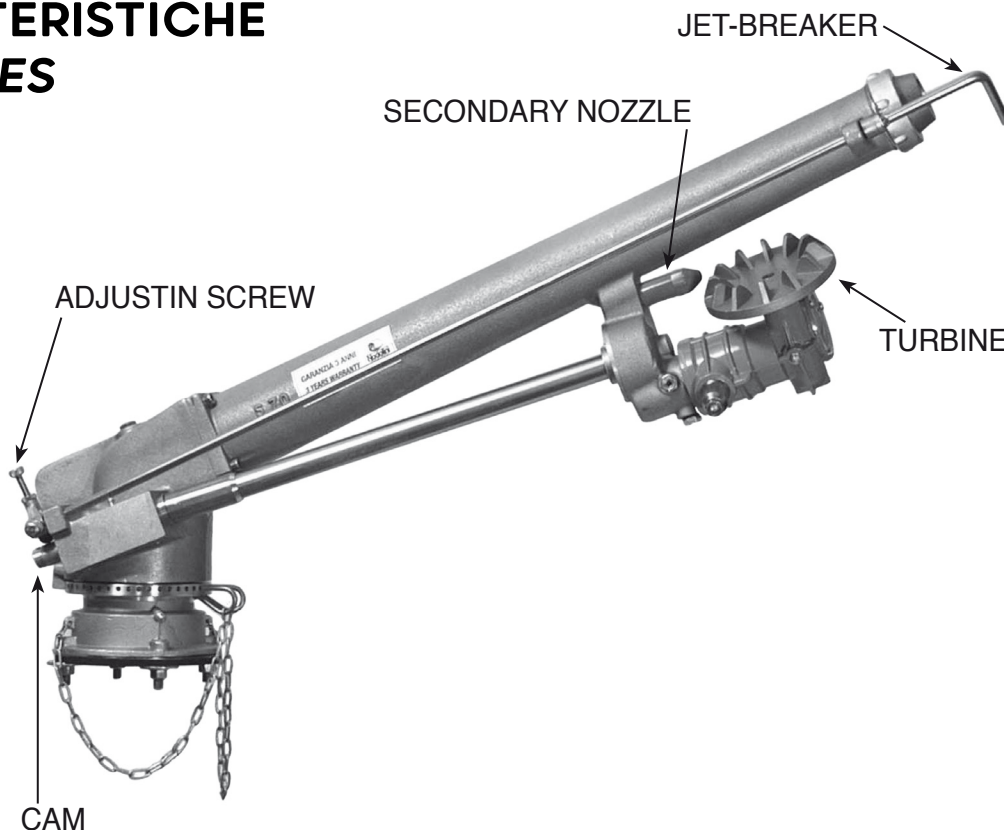
**SPRINKLERS
FOR AGRICULTURE
AND DUST SUPPRESSION**

PRECISION IRRIGATION SPRINKLERS



Nodolini Sprinklers is proud to present its complete range of products, fruit of continuous research developed through over 60 years of activity. This has allowed us to combine the solidity of our irrigator with high performance and extraordinary lightness. We are certain of a product which will effectively satisfy the modern needs.

CARATTERISTICHE FEATURES



VANTAGGI DELL'IRRIGATORE A TURBINA

- Tutte le parti meccaniche sono interne e protette.
- Il tubo di lancio conico garantisce maggiori prestazioni.
- Privo di freno, causa di problemi nel tempo, lavora perfettamente anche su terreni in forte pendenza ed anche con alte pressioni (15 Atm – 220 psi)
- Funziona con un angolo minimo di 4 gradi.
- Il rompigitto dinamico ad interferenza regolabile, assicura una corretta uniformità di pioggia in tutte le situazioni, anche con basse pressioni dove gli altri irrigatori normalmente hanno abbondanza di acqua negli ultimi metri della gittata e poca nei primi.

ADVANTAGES OF THE TURBINE SPRINKLER

- All mechanical parts are internal and protected.
- The conical barrel provides greater performance.
- Without brake, which causes problems over the time, it works perfectly even on steep slopes and at high pressures (15 Atm - 220 psi)
- It works with a minimum angle of 4 degrees.
- The dynamic jet-breaker with adjustable interference, ensures a correct rain uniformity in all situations, even at low pressures where the other sprinklers normally have plenty of water over the few last meters of the throw and little in the first ones.

PRECISION IRRIGATION SPRINKLERS

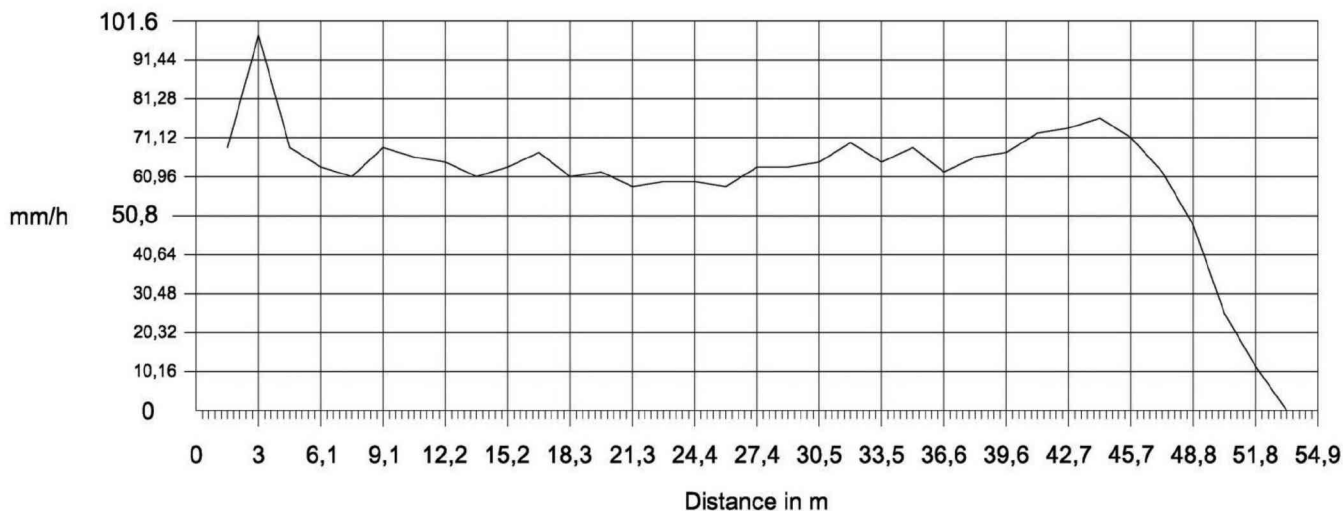
Qui sotto il nostro modello S60 E / S60 con un boc-caglio diametro 24 mm e con una pressione di 6 Atm (88,2 psi) sull' irrigatore. In questa situazione abbiamo ottimizzato l' uniformita' di bagnatura con un' interferenza del rompighetto di 3,5 mm.

Below is our model S60 E / S60 with a 24-mm-diameter nozzle and a sprinkler pressure of 6 Atm (88.2 psi). In this situation we have optimized the watering uniformity with a jet-breaker interference of 3.5 mm.

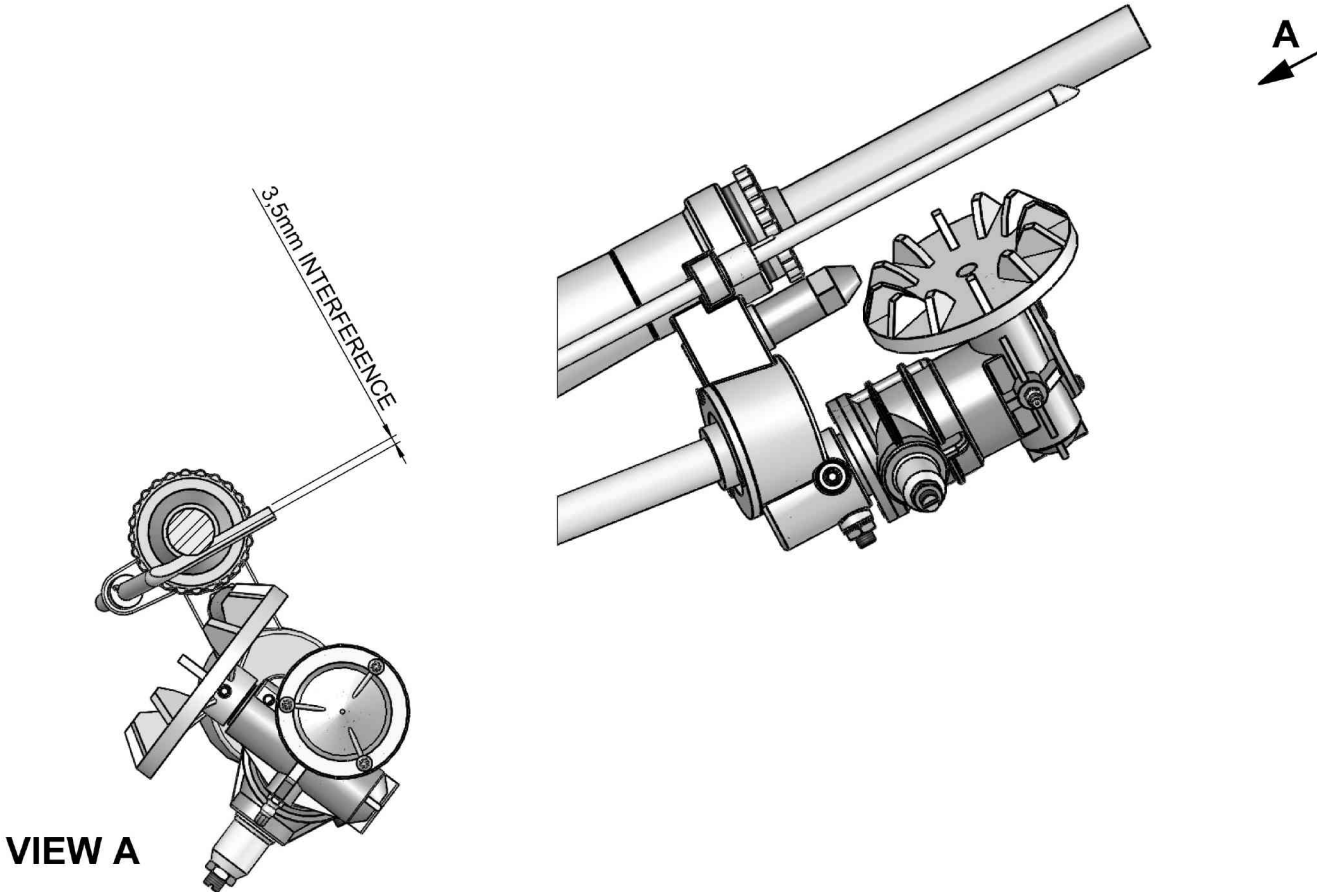
Water distribution diagram with S.I. (International System) measurement units drawn up at the Center for Irrigation Technology (C.I.T. Fresno)

Sprinkler Name	Nodolini			
Sprinkler Model	S60			
Date/Time of Test	12/17/2013 10:55			
Nozzle Size	24 mm	0,945 in		
Flow Rate	0.01495 m ³ /s	53,83 m ³ /h	897.14 l/min	237 gpm
Base Pressure	0,608 MPa	6,08 bar	6 atm	88,2 psi
Riser Height	0,61 m	24 in		
Set Screw Setting	3,5 mm	0,138 in		
Degree of Arc	0,698 rad	40°		

Sprinkler Radius of Throw per ASAE Standard S398.1: 52,1 m



1,5 = 68,58	15,2 = 63,50	29 = 63,50	42,7 = 73,66
3 = 97,79	16,8 = 67,31	30,5 = 64,77	44,2 = 76,20
4,6 = 68,58	18,3 = 60,96	32 = 69,85	45,7 = 71,12
6,1 = 63,50	19,8 = 62,23	33,5 = 64,77	47,2 = 62,23
7,6 = 60,96	21,3 = 58,42	35 = 68,58	48,8 = 48,26
9,1 = 68,58	22,9 = 59,69	36,6 = 62,23	50,3 = 25,40
10,7 = 66,04	24,4 = 59,69	38,1 = 66,04	51,8 = 11,43
12,2 = 64,77	25,9 = 58,42	39,6 = 67,31	
13,7 = 60,96	27,4 = 63,50	41,1 = 72,39	



Christiansen Uniformity Coefficient (C_u)

$$C_u = 100 \cdot \left(1 - \frac{\sum_{i=1}^n |h_i - h_m|}{n \cdot h_m} \right)$$

$$C_u = 100 \cdot \left(1 - \frac{225,64}{34 \cdot 62,98} \right) = 88\%$$

Christiansen Uniformity Value (C _u)	
> 87%	= excellent
> 83%	= very good
> 79%	= good
> 75%	= satisfactory
> 70%	= poor

Distribution Uniformity Coefficient (D_u)

$$D_u = 100 \cdot \left(\frac{h_{lq}}{h_m} \right)$$

$$D_u = 100 \cdot \left(\frac{53,53}{62,98} \right) = 85\%$$

Distribution Uniformity Value (D _u)	
> 85%	= excellent
> 80%	= very good
> 75%	= good
> 70%	= satisfactory
> 65%	= poor

PRECISION IRRIGATION SPRINKLERS

S45 FULL CIRCLE

S45 PART CIRCLE

MEDIUM THROW

Female thread connection

1" 1/2 BSP

1" 1/2 NPT

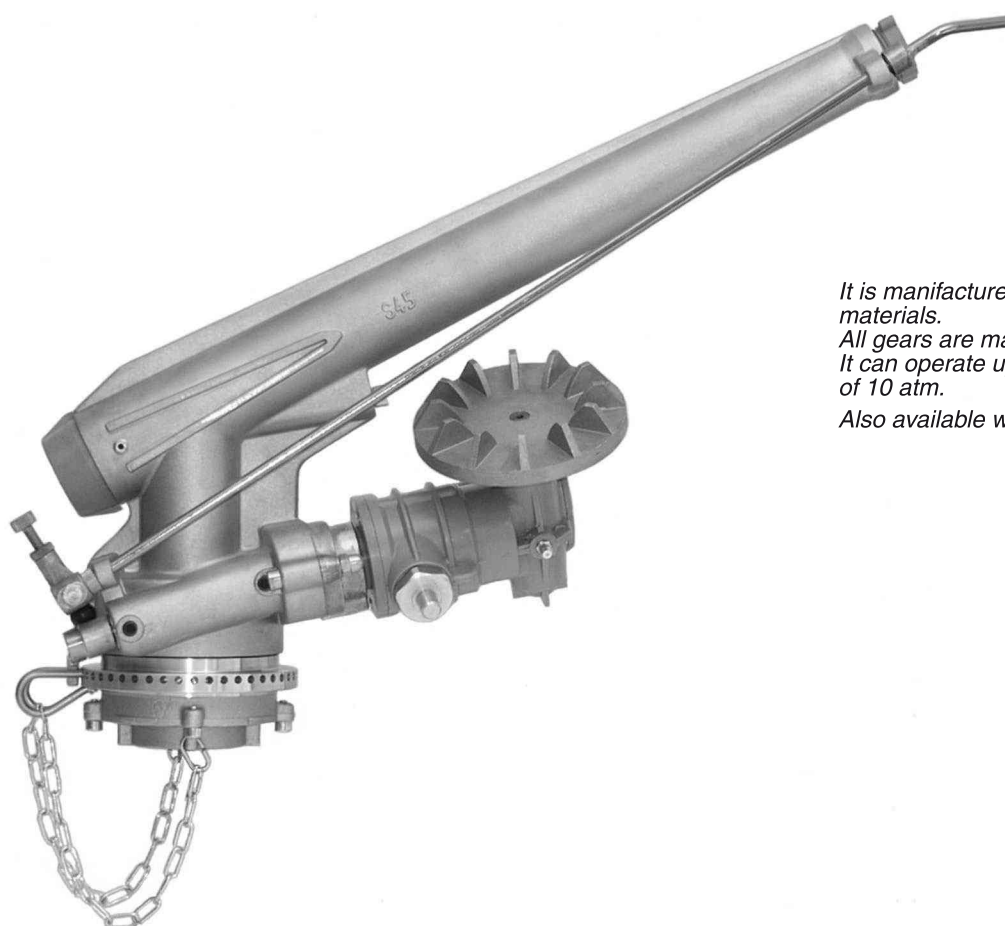


- Turbine sprinkler
- Conical pipe: high performances
- Perfect functioning on steep terrain
- No vibrations
- No break
- Intermittent jet-breaker adjustable for better uniformity of the rain
- Suitable for irrigation of delicate crops
- The sprinkler can operate with an angle of just 4°

Nozzle Ø mm	Pressure atm.	Flow l/min	Length of jet m
10	1,5 - 2,0 - 2,5	80 - 93 - 104	18 - 22 - 24
12	2,0 - 3,0 - 4,0	134 - 164 - 190	24 - 29 - 31
14	2,0 - 3,0 - 4,0	183 - 224 - 258	26 - 32 - 34
16	3,0 - 4,0 - 5,0	292 - 337 - 377	33 - 37 - 39
18	3,0 - 4,0 - 5,0	370 - 427 - 477	34 - 37 - 42
20	3,0 - 4,0 - 5,0	456 - 527 - 590	36 - 41 - 46
22	4,0 - 5,0 - 6,0	638 - 713 - 780	42 - 47 - 49
24	4,0 - 5,0 - 6,0	730 - 817 - 895	43 - 48 - 52

The technical characteristics are indicative and not binding

PRECISION IRRIGATION SPRINKLERS

S45 HIGH PRESSURE*MEDIUM THROW**Female thread connection**1" 1/2 BSP**1" 1/2 NPT*

It is manufactured with high quality materials.

All gears are made of metal.

It can operate up to a pressure of 10 atm.

Also available without jet-breaker

- Turbine sprinkler
- Conical pipe: high performances
- Perfect functioning on steep terrain
- No vibrations
- No break
- Intermittent jet-breaker adjustable for better uniformity of the rain
- Suitable for irrigation of delicate crops
- The sprinkler can operate with an angle of just 4°

Nozzle Ø mm	Pressure atm.	Flow l/min	Length of jet m
10	1,5 - 2,0 - 2,5	80 - 93 - 104	18 - 22 - 24
12	2,0 - 3,0 - 4,0	134 - 164 - 190	24 - 29 - 31
14	2,0 - 3,0 - 4,0	183 - 224 - 258	26 - 32 - 34
16	3,0 - 4,0 - 5,0	292 - 337 - 377	33 - 37 - 39
18	3,0 - 4,0 - 5,0	370 - 427 - 477	34 - 37 - 42
20	3,0 - 4,0 - 5,0	456 - 527 - 590	36 - 41 - 46
22	4,0 - 5,0 - 6,0	638 - 713 - 780	42 - 47 - 49
24	4,0 - 5,0 - 6,0	730 - 817 - 895	43 - 48 - 52

The technical characteristics are indicative and not binding

PRECISION IRRIGATION SPRINKLERS

S45 - 2" FULL CIRCLE

S45 - 2" PART CIRCLE

MEDIUM THROW

Female thread connection

2" BSP

2" NPT

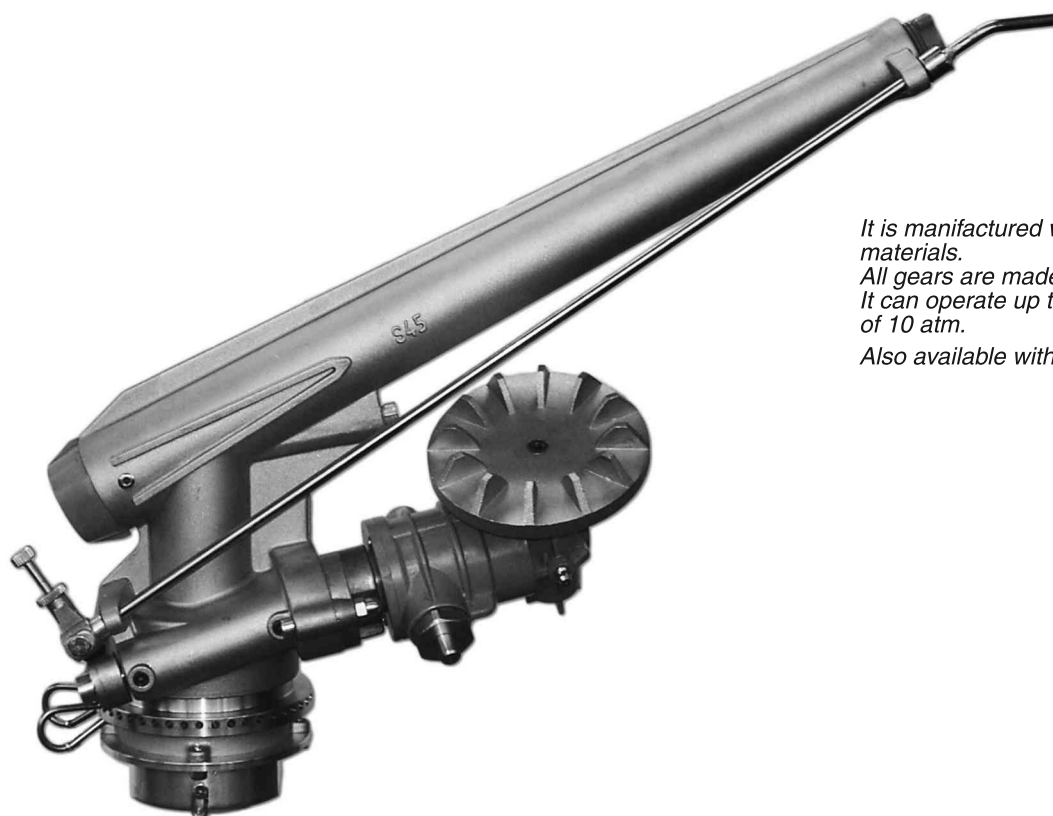


- Turbine sprinkler
- Conical pipe: high performances
- Perfect functioning on steep terrain
- No vibrations
- No break
- Intermittent jet-breaker adjustable for better uniformity of the rain
- Suitable for irrigation of delicate crops
- The sprinkler can operate with an angle of just 4°

Nozzle Ø mm	Pressure atm.	Flow l/min	Length of jet m
18	3,0 - 4,0 - 5,0	370 - 427 - 477	35 - 38 - 43
20	3,0 - 4,0 - 5,0	456 - 527 - 590	36 - 42 - 46
22	4,0 - 5,0 - 6,0	638 - 713 - 780	43 - 48 - 50
24	4,0 - 5,0 - 6,0	730 - 817 - 895	43 - 49 - 53

The technical characteristics are indicative and not binding

PRECISION IRRIGATION SPRINKLERS

S45 - 2" HIGH PRESSURE*MEDIUM THROW**Female thread connection**2" BSP**2" NPT*

*It is manufactured with high quality materials.
All gears are made of metal.
It can operate up to a pressure of 10 atm.
Also available without jet-breaker*

- Turbine sprinkler
- Conical pipe: high performances
- Perfect functioning on steep terrain
- No vibrations
- No break
- Intermittent jet-breaker adjustable for better uniformity of the rain
- Suitable for irrigation of delicate crops
- The sprinkler can operate with an angle of just 4°

Nozzle Ø mm	Pressure atm.	Flow l/min	Length of jet m
18	3,0 - 4,0 - 5,0	370 - 427 - 477	35 - 38 - 43
20	3,0 - 4,0 - 5,0	456 - 527 - 590	36 - 42 - 46
22	4,0 - 5,0 - 6,0	638 - 713 - 780	43 - 48 - 50
24	4,0 - 5,0 - 6,0	730 - 817 - 895	43 - 49 - 53

The technical characteristics are indicative and not binding

PRECISION IRRIGATION SPRINKLERS

S45 PLUS*MEDIUM THROW**Flange Connection PN6 DN50**Flange Connection ANSI 2" - DIN 50**Diameter inlet of the water 61,5 mm**Standard Nozzles diameters 20, 22, 24 mm*

Its sizes and features have been designed to obtain the highest efficiency even with installations of medium – low power.

- Turbine sprinkler
- Conical pipe: high performances
- Perfect functioning on steep terrain
- No vibrations
- No break
- Intermittent jet-breaker adjustable for better uniformity of the rain
- Suitable for irrigation of delicate crops
- The sprinkler can operate with an angle of just 4°

Nozzle Ø mm	Pressure atm.	Flow l/min	Length of jet m
18	3,0 - 4,0 - 5,0	370 - 427 - 477	35 - 39 - 43
20	3,0 - 4,0 - 5,0	456 - 527 - 590	36 - 43 - 47
22	4,0 - 5,0 - 6,0	638 - 713 - 780	44 - 48 - 50
24	4,0 - 5,0 - 6,0	730 - 817 - 895	44 - 50 - 54

The technical characteristics are indicative and not binding

PRECISION IRRIGATION SPRINKLERS

S45 PLUS HIGH PRESSURE

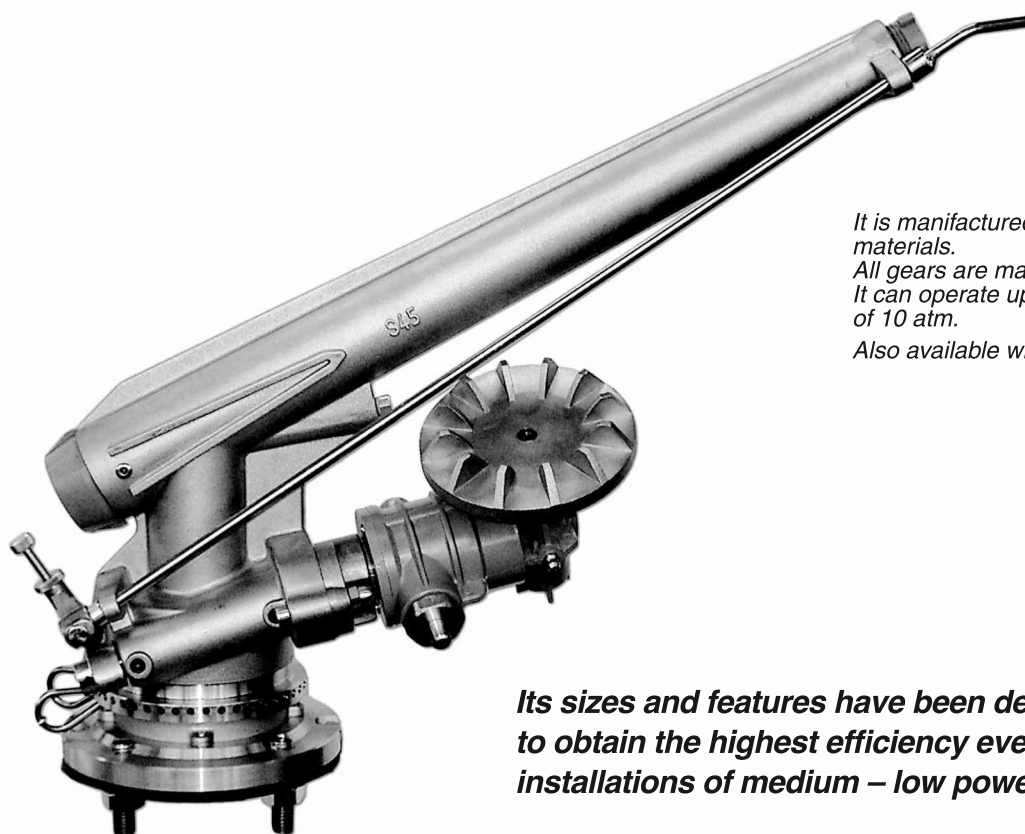
MEDIUM THROW

Flange Connection PN6 DN50

Flange Connection ANSI 2" - DIN 50

Diameter inlet of the water 61,5 mm

Standard Nozzles diameters 20, 22, 24 mm



*It is manufactured with high quality materials.
All gears are made of metal.
It can operate up to a pressure of 10 atm.
Also available without jet-breaker*

Its sizes and features have been designed to obtain the highest efficiency even with installations of medium – low power.

- Turbine sprinkler
- Conical pipe: high performances
- Perfect functioning on steep terrain
- No vibrations
- No break
- Intermittent jet-breaker adjustable for better uniformity of the rain
- Suitable for irrigation of delicate crops
- The sprinkler can operate with an angle of just 4°

Nozzle Ø mm	Pressure atm.	Flow l/min	Lenght of jet m
18	3,0 - 4,0 - 5,0	370 - 427 - 477	35 - 39 - 43
20	3,0 - 4,0 - 5,0	456 - 527 - 590	36 - 43 - 47
22	4,0 - 5,0 - 6,0	638 - 713 - 780	44 - 48 - 50
24	4,0 - 5,0 - 6,0	730 - 817 - 895	44 - 50 - 54

The technical characteristics are indicative and not binding

PRECISION IRRIGATION SPRINKLERS

S60 E - 25° FULL CIRCLE

S60 E - 25° PART CIRCLE

*LONG THROW**Nodolini flange connection**Small EUROFLANGE connection**Big EUROFLANGE connection (diameter inlet 80 mm)**NELSON FLANGE 3"**Female thread connection**2" BSP**2" 1/2 BSP**2" NPT*

Nozzle Ø mm	Pressure atm.	Flow l/min	Length of jet m
16	3,0 - 3,5 - 4,0	281 - 304 - 324	33 - 35 - 38
18	3,5 - 4,0 - 4,5	384 - 411 - 436	37 - 40 - 42
20	4,0 - 4,5 - 5,0	506 - 537 - 566	41 - 43 - 45
22	4,0 - 4,5 - 5,0	612 - 649 - 684	43 - 45 - 47
24	4,0 - 4,5 - 5,0	729 - 774 - 816	45 - 47 - 49
26	4,5 - 5,0 - 5,5	908 - 957 - 1004	47 - 49 - 51
28	4,5 - 5,0 - 5,5	1053 - 1110 - 1164	50 - 52 - 54

- Turbine sprinkler
- Conical pipe: high performances
- Perfect functioning on steep terrain
- No vibrations
- No break
- Intermittent jet-breaker adjustable for better uniformity of the rain
- Suitable for irrigation of delicate crops
- The sprinkler can operate with an angle of just 4°

The technical characteristics are indicative and not binding



NEW REVOLVING MODELS

S60 - 25° REVOLVING

S70 - 25° REVOLVING

S70 SUPER - 25° REVOLVING

S80 REVOLVING

S80 SUPER REVOLVING

These models can rotate freely on themselves at 360°, thanks to a gear release system in the base.

During the transport of the sprinkler the gears must be released in order to avoid damaging them.

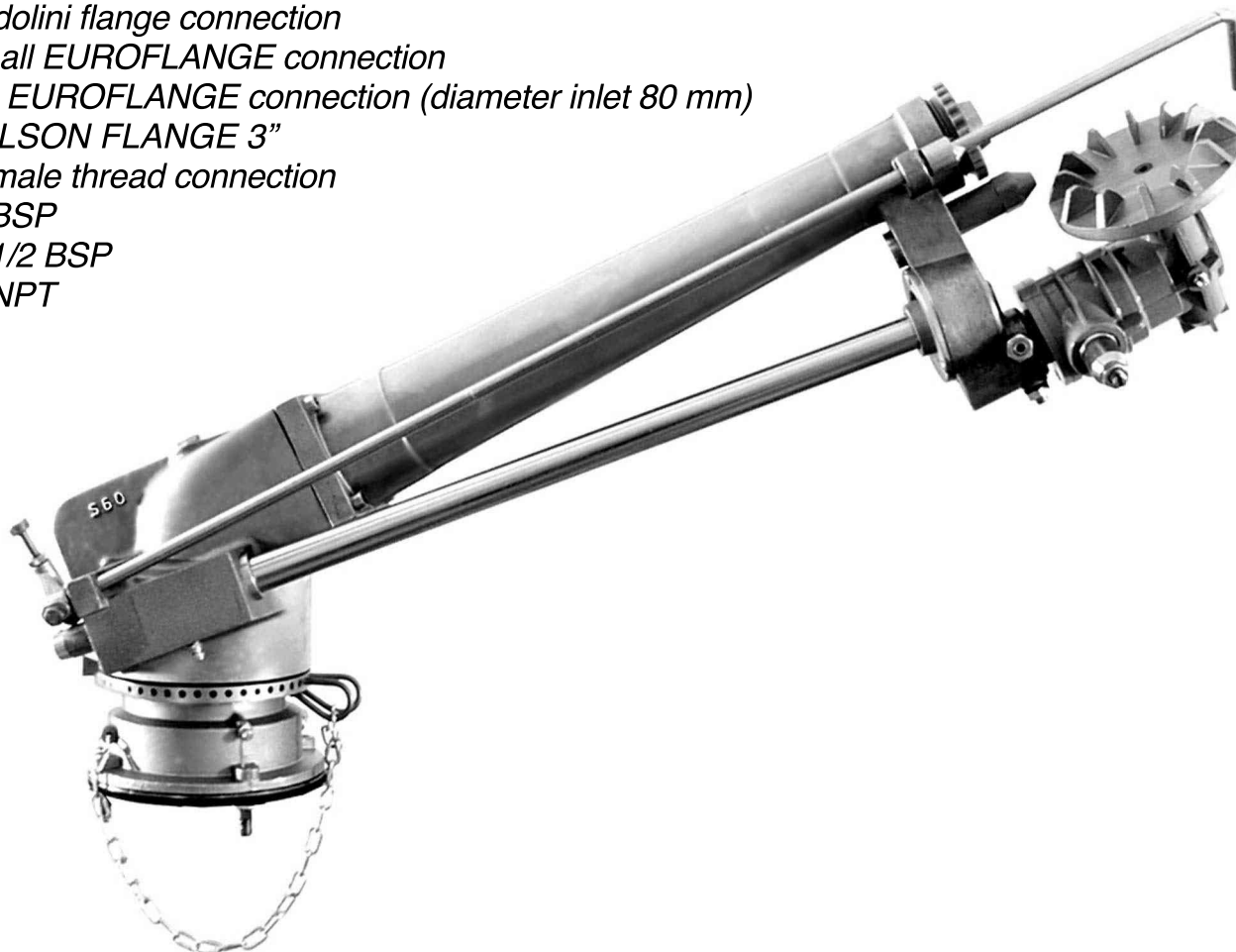
ITALIAN PATENT PENDING

PRECISION IRRIGATION SPRINKLERS

S60 - 25°

S60 - 25° REVOLVING

S60 - 22°

*LONG THROW**Nodolini flange connection**Small EUROFLANGE connection**Big EUROFLANGE connection (diameter inlet 80 mm)**NELSON FLANGE 3"**Female thread connection**2" BSP**2" 1/2 BSP**2" NPT*

- Turbine sprinkler
- Conical pipe: high performances
- Perfect functioning on steep terrain
- No vibrations
- No break
- Intermittent jet-breaker adjustable for better uniformity of the rain
- Suitable for irrigation of delicate crops
- The sprinkler can operate with an angle of just 4°

Nozzle Ø mm	Pressure atm.	Flow l/min	Length of jet m
20	4,0 - 4,5 - 5,0	506 - 537 - 566	41 - 43 - 45
22	4,0 - 4,5 - 5,0	612 - 649 - 684	43 - 45 - 47
24	4,0 - 4,5 - 5,0	729 - 774 - 816	45 - 47 - 49
26	4,5 - 5,0 - 5,5	980 - 957 - 1004	47 - 49 - 51
28	4,5 - 5,0 - 5,5	1053 - 1110 - 1164	50 - 52 - 54
30	5,0 - 5,5 - 6,0	1273 - 1335 - 1394	53 - 55 - 57

The technical characteristics are indicative and not binding

PRECISION IRRIGATION SPRINKLERS

S70 - 25°
S70 - 25° REVOLVING
S70 - 22°

LONG THROW

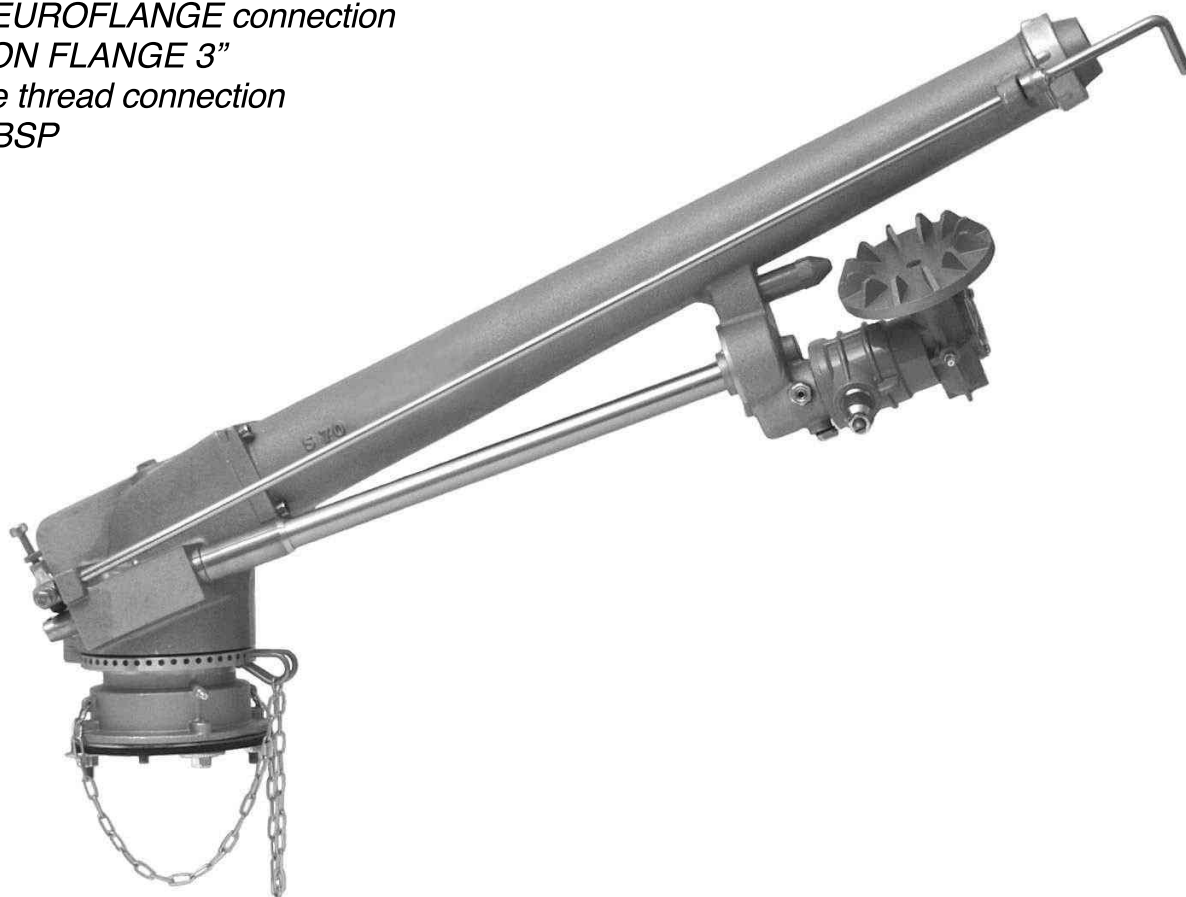
Nodolini flange connection

Small EUROFLANGE connection

NELSON FLANGE 3"

Female thread connection

2" 1/2 BSP



Long range turbine sprinkler designed to obtain maximum output with medium power systems.

- Turbine sprinkler
- Conical pipe: high performances
- Perfect functioning on steep terrain
- No vibrations
- No break
- Intermittent jet-breaker adjustable for better uniformity of the rain
- Suitable for irrigation of delicate crops
- The sprinkler can operate with an angle of just 4°

Nozzle Ø mm	Pressure atm.	Flow l/min	Length of jet m
24	4,0 - 5,0 - 6,0	729 - 815 - 893	45 - 52 - 55
26	4,0 - 5,0 - 6,0	856 - 957 - 1048	47 - 53 - 57
28	4,0 - 5,0 - 6,0	992 - 1109 - 1215	49 - 54 - 59
30	5,0 - 6,0 - 7,0	1272 - 1393 - 1505	55 - 61 - 63
32	5,0 - 6,0 - 7,0	1449 - 1587 - 1714	57 - 63 - 66
34	6,0 - 7,0 - 8,0	1792 - 1935 - 2069	64 - 67 - 69
36	6,0 - 7,0 - 8,0	2009 - 2170 - 2320	65 - 69 - 71
38	7,0 - 8,0 - 9,0	2418 - 2585 - 2742	71 - 73 - 75

The technical characteristics are indicative and not binding

PRECISION IRRIGATION SPRINKLERS

S70 SUPER - 25°

S70 SUPER - 25° REVOLVING

S70 SUPER - 22°

LONG THROW

Big EUROFLANGE connection (diameter inlet 80 mm)



Long range turbine sprinkler designed to obtain maximum output with medium power systems.

- Turbine sprinkler
- Conical pipe: high performances
- Perfect functioning on steep terrain
- No vibrations
- No break
- Intermittent jet-breaker adjustable for better uniformity of the rain
- Suitable for irrigation of delicate crops
- The sprinkler can operate with an angle of just 4°

Nozzle Ø mm	Pressure atm.	Flow l/min	Length of jet m
24	4,0 - 5,0 - 6,0	729 - 815 - 893	45 - 53 - 56
26	4,0 - 5,0 - 6,0	856 - 957 - 1048	48 - 54 - 58
28	4,0 - 5,0 - 6,0	992 - 1109 - 1215	50 - 55 - 60
30	5,0 - 6,0 - 7,0	1272 - 1393 - 1505	56 - 62 - 64
32	5,0 - 6,0 - 7,0	1449 - 1587 - 1714	57 - 65 - 67
34	6,0 - 7,0 - 8,0	1792 - 1935 - 2069	65 - 69 - 70
36	6,0 - 7,0 - 8,0	2009 - 2170 - 2320	66 - 71 - 72
38	7,0 - 8,0 - 9,0	2418 - 2585 - 2742	72 - 74 - 76

The technical characteristics are indicative and not binding

PRECISION IRRIGATION SPRINKLERS

S80

S80 REVOLVING

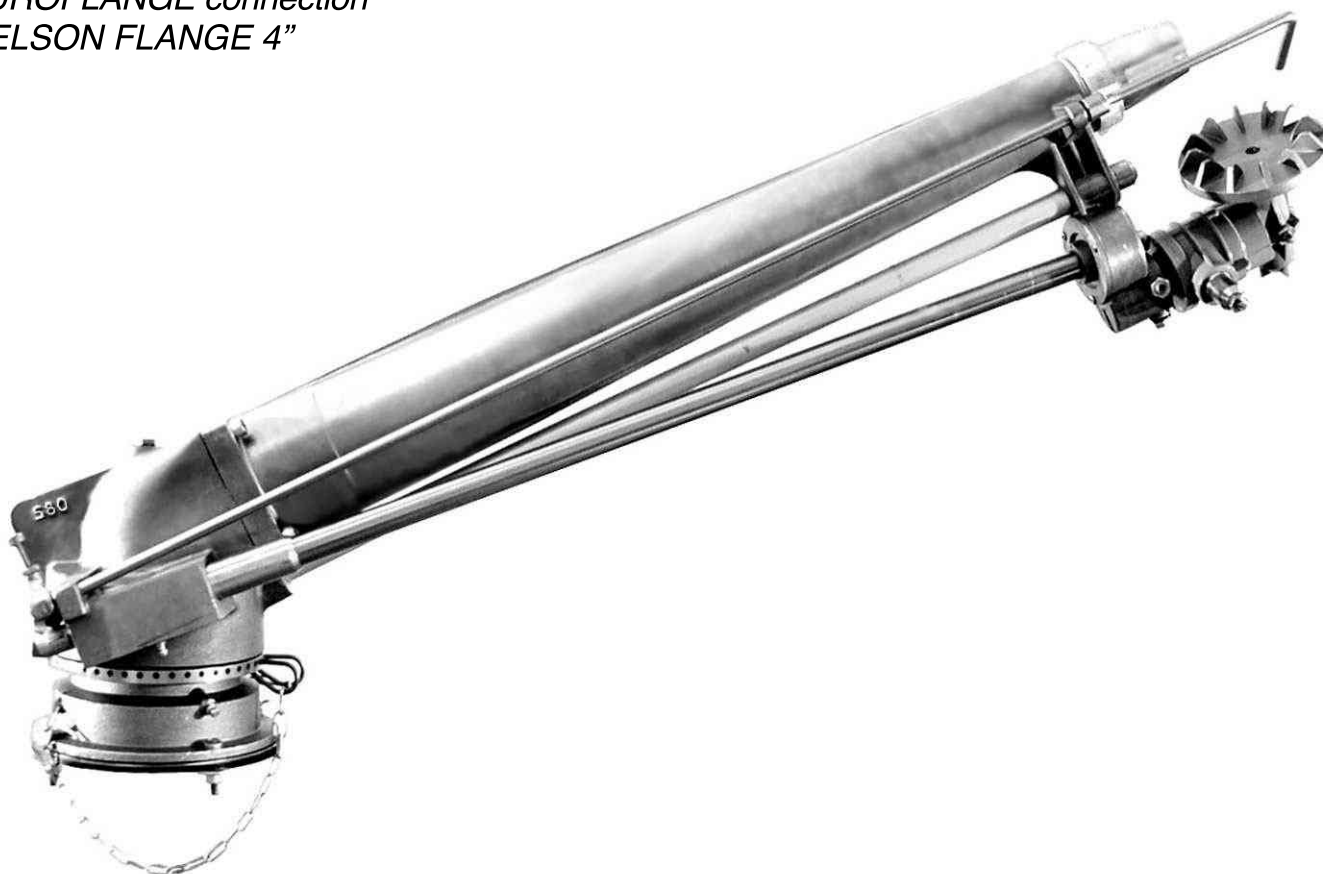
LONG THROW

Nodolini flange connection

FLANGE DN100 PN16 EN1092-1

EUROFLANGE connection

NELSON FLANGE 4"



Nozzle Ø mm	Pressure atm.	Flow l/min	Length of jet m
26	4,5 - 5,0 - 5,5	908 - 957 - 1004	49 - 52 - 53
28	4,5 - 5,0 - 5,5	1053 - 1110 - 1164	51 - 54 - 56
30	5,0 - 5,5 - 6,0	1273 - 1335 - 1394	55 - 57 - 60
32	5,5 - 6,0 - 6,5	1520 - 1587 - 1652	59 - 62 - 65
34	6,0 - 6,5 - 7,0	1792 - 1865 - 1935	63 - 66 - 68
36	6,0 - 7,0 - 8,0	2008 - 2169 - 2319	65 - 70 - 75
38	7,0 - 8,0 - 9,0	2418 - 2585 - 2742	73 - 76 - 79

- Turbine sprinkler
- Conical pipe: high performances
- Perfect functioning on steep terrain
- No vibrations
- No break
- Intermittent jet-breaker adjustable for better uniformity of the rain
- Suitable for irrigation of delicate crops
- The sprinkler can operate with an angle of just 4°

The technical characteristics are indicative and not binding

PRECISION IRRIGATION SPRINKLERS

S80 SUPER

S80 SUPER REVOLVING

VERY LONG THROW

Nodolini flange connection

FLANGE DN100 PN16 EN1092-1

EUROFLANGE connection

NELSON FLANGE 4"



Nozzle Ø mm	Pressure atm.	Flow l/min	Length of jet m
30	5,0 - 5,5 - 6,0	1273 - 1335 - 1394	56 - 60 - 62
32	6,0 - 6,5 - 7,0	1587 - 1652 - 1714	61 - 65 - 68
34	6,0 - 6,5 - 7,0	1792 - 1865 - 1935	63 - 66 - 70
36	7,0 - 8,0 - 9,0	2169 - 2319 - 2460	71 - 74 - 80
38	7,0 - 8,0 - 9,0	2418 - 2585 - 2742	73 - 78 - 83
40	8,0 - 9,0 - 10,0	2864 - 3038 - 3203	81 - 86 - 90
42	8,0 - 9,0 - 10,0	3120 - 3310 - 3490	83 - 89 - 93
44	9,0 - 10,0 - 11,0	3630 - 3830 - 4050	92 - 95 - 99

- Turbine sprinkler
- Conical pipe: high performances
- Perfect functioning on steep terrain
- No vibrations
- No break
- Intermittent jet-breaker adjustable for better uniformity of the rain
- Suitable for irrigation of delicate crops
- The sprinkler can operate with an angle of just 4°

The technical characteristics are indicative and not binding



Nodolini
PRECISION IRRIGATION SPRINKLERS

NODOLINI SPRINKLERS

di NODOLINI SAVERIO

Via C. Iotti, 55 - 42045 Luzzara (RE) - Italy
tel +39 0522 977491 - Fax +39 0522 977491
info@nodolini.com - www.nodolini.com